

LookFan

Centrifugal blower for Viper 2.6/Orka

Manufactured for
Look – SOLUTIONS MADE IN GERMANY



powerful Output

Hanging yoke

Made in Germany

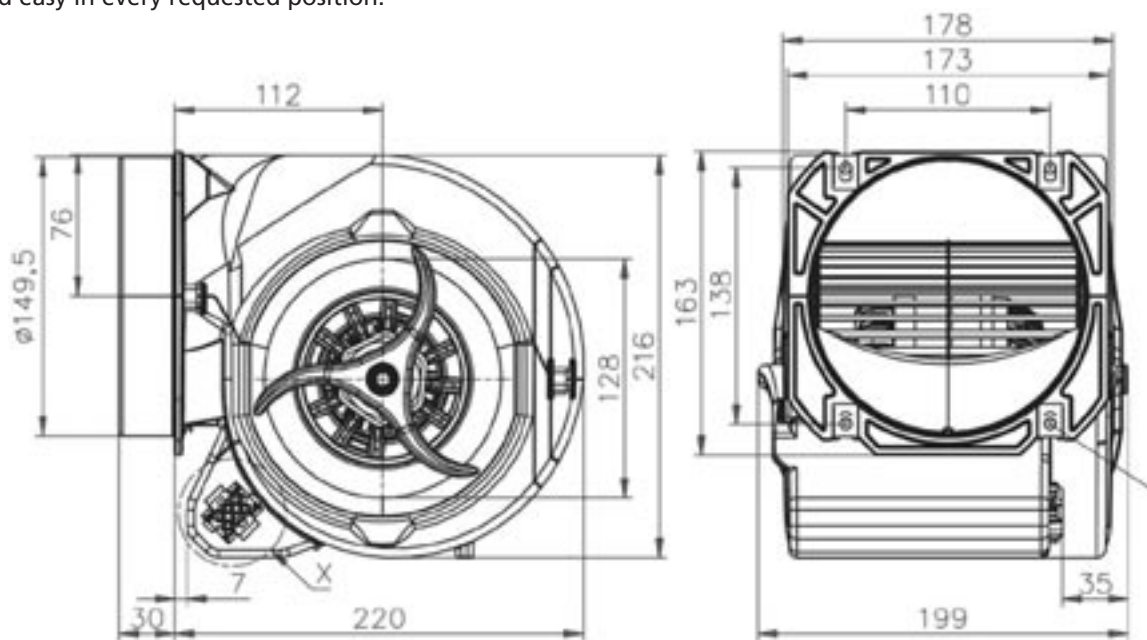
The **LookFan** is the ideal accessory for the **Viper 2.6** as well as the **Orka** fog machine.

Due to the powerful air flow the fog can be distributed quick and constant within a room.

The hanging yoke guarantees a most flexible use. With the two star knobs screws the fan can be fixed quick and easy in every requested position.

The connection to the **Viper 2.6** or **Orka** is done with a special plug.

The **LookFan** can then easily be controlled via a second channel at the DMX desk or directly at the **Viper 2.6** or **Orka** from 1 – 99%.



Voltage V	Frequency Hz	Air volume m ³ /h	Speed min ⁻¹	Power W	Current A	Capacitor μF / VDB	Noise level dBA	Operating from Pa	Adm. amb. temp. °C	Weight kg
230	50	1060	1850	355	1,55	8 / 450	66	0	50	3,6
	60	875	2100	400	1,75		63	200	55	